



**Modern styling,  
industrial duty  
... with large white on  
black figures for  
enhanced visibility**

Bold 5-figure display and smooth rotary reset highlight this series of industrial grade totalizers. Other features include long-life bearings and 0.25 inch (6.35 mm) shaft, permitting use of our measuring wheels for linear footage totalizing applications. Counting is bidirectional on rotary input models.

- Base mount with right-hand shaft position
- 5 highly visible white-on-black figures – counts to 99,999
- Revolution drive – one count per revolution
- Direct drive – 10 counts per revolution
- Bidirectional counting with direct and revolution drives
- Convenient, low torque, rotary knob reset to zero
- Tough, industrial duty construction
- Long life bearings – lubrication not required

Many optional configurations are possible, such as: 3, 4, 6, 7, or 8 figures; custom wheel colors; special shaft lengths.

## SPECIFICATIONS

**Series 7428:** Direct Drive: Adds ten counts for each drive shaft revolution in specified rotation, subtracts for opposite rotations if reset knob is not obstructed

**Series 7430:** Revolution Drive: Adds one count for each drive shaft revolution in specified rotation; subtracts for opposite rotations if reset knob is not obstructed

**Speed:** Direct: 200 rpm of drive shaft; Revolution: 750 rpm of drive shaft

**Figures:** 5, 0.270" high by 0.185" wide (6.86 mm x 4.70 mm), white on black

**Reset:** Manual knob

**Lubrication:** Not required

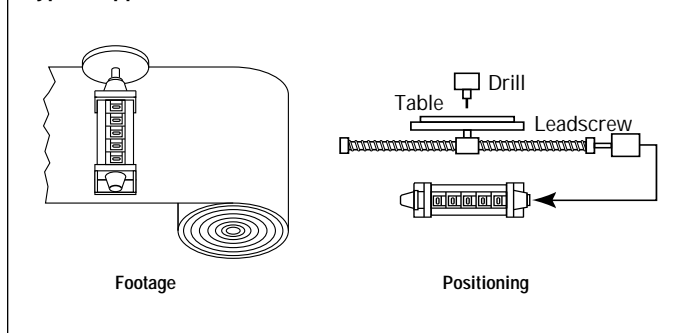
**Mounting:** Base

**Construction:** End Caps: Zamak; Case: C.A.B. plastic; Internal Parts: Acetal resin and A.B.S. plastic and sintered metal; Drive Shafts: Plated steel

**Net Weight:** 6 oz. (170 g)

Model No.	Description	Rotation
742835-001	Direct drive, knob reset, sleeve bearing, 5 figures	
743035-001	Revolution drive, knob reset, sleeve bearings, 5 figures	3 ⚙
743035-201	Revolution drive, knob reset, needle bearings, 5 figures	
742845-001	Direct drive, knob reset, sleeve bearing, 5 figures	
743045-001	Revolution drive, knob reset, sleeve bearings, 5 figures	4 ⚙
743045-201	Revolution drive, knob reset, needle bearings, 5 figures	

### Typical Applications:



### Dimensions:

