



**Microprocessor based
solid state timer/
counter... housed in
CYCL-FLEX® case**



The CX200 is a microprocessor based timer/counter housed in a standard 15 terminal CYCL-FLEX® plug-in case. Time or count operation, time range, and standard or reverse start operation is selected by 7 miniature rocker switches located inside the unit housing. Time or count setpoints are entered into the unit using a sealed membrane keypad on the front of the unit. Each digit in the setpoint is individually increased or decreased by pressing the appropriate keypad switch. Time or count setpoint and progress is displayed on the front of the unit by a 4 1/2 digit liquid crystal display with .5 inch digits. Operational mode annunciators also appear in the display area on the front of the unit. The mode annunciator flashes when the unit is timing or counting.

- Five time ranges from 19.999 sec. to 199 hrs.: 59 min.
- Two count rates - accept and display counts from 1 to 19999
- Two relay outputs - socket mounted for easy replacement
- Two form C instantaneous contacts and two form C programmed contacts
- N.O. solid state MOSFET, delayed action switch rated at 1 ampere continuous load current, 0-264 VAC 50/60 Hz or DC
- Ideal output for switching low level signals and high voltage loads due to MOSFET output's ON resistance of 0.5 ohm and very low OFF leakage
- Programmed outputs operate in one of four load sequences; OOX, OXO, OOX with pulse output, and OOX pulse output with repeat cycle operation
- Standard start is defined as ON delay reset timer or counter
- For standard start units, timer/counter resets on power failure
- Reverse start or OFF delay units will not reset on power failure and will continue cycle when power is restored

SPECIFICATIONS

Time/Count Ranges:

Sym.	Maximum Range	Minimum Setting	Count Rate
1	19999 Cts.	1 Ct.	500/Min. AC.
2	19999 Cts.	1 Ct.	5000/Min. AC
3	199.99 Sec.	.01 Sec.	
4	1999.9 Sec.	.1 Sec.	
5	19.999 Sec.	.001 Sec.	
6	199 Min.: 59 Sec.	1 Sec.	
7	199 Hr.: 59 Min.	1 Min.	

Operating Voltage/Frequency: A6 - 120 VAC, 50/60 Hz
B6 - 240 VAC, 50/60 Hz
K6 - 208 VAC, 50/60 Hz

Time Inhibit/Count Line Voltage/Frequency:
A6 - 120 VAC 50/60 Hz
B6 - 240 VAC 50/60 Hz
K6 - 208 VAC 50/60 Hz

Setting Accuracy: Time: $\pm 0.1\%$ or 50 ms, whichever is larger (0° to 60°C)
Count: 100%

Repeat Accuracy:
Time: $\pm 0.001\%$ of setting or 35 ms, whichever is larger (0° to 60°C)
Count: 100%

Reset Time: 30 ms following voltage removal from simulated clutch input (CR1)

Power on Response: 300 ms maximum after voltage applied to terminal 11

Operating Temperature: +32° to +140°F (0° to +60°C)

Output Rating: Relay: 10 amp (resistive), 120 VAC
Mechanical Life: 20 million operations
Electrical Life: contingent upon controlled load
Solid State: 1 amp, 0-264 VAC, VDC

Vibration: Unit function is unaffected by 2.5G sinusoidal vibration magnitude in both directions of the perpendicular mounting axes imposed from 10 to 100 Hz

Static Discharge: Unit function is unaffected by a constant 3600 volt peak, 60 Hz discharge applied to the grounded front plate at a relative humidity of less than 25%

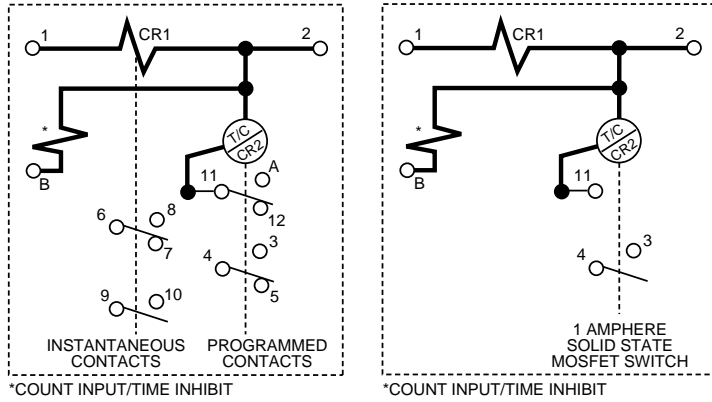
Battery Life: The CX uses a lithium battery with an expected life of 10 years

Agency Approvals: UL Recognition E96337
CSA Certification LR26861

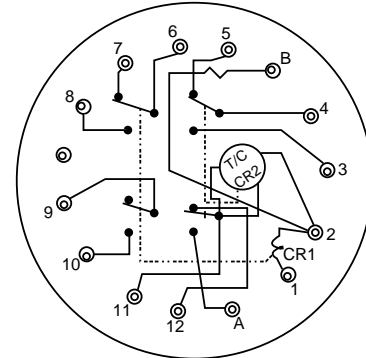
EAGLE SIGNAL brand

Electronic Timers

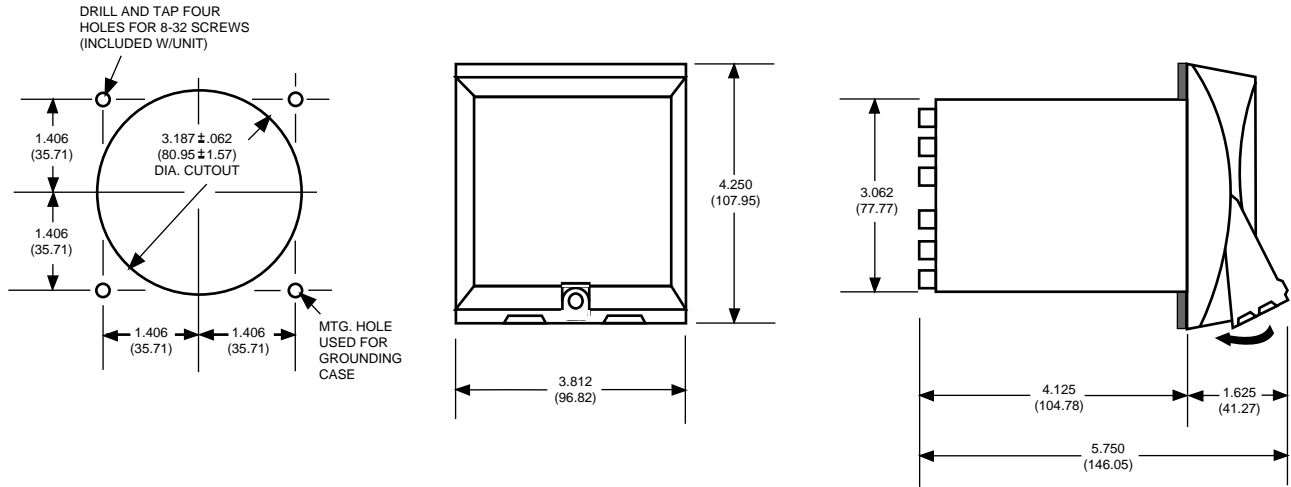
CX200 TERMINAL ASSIGNMENTS



TERMINALS AND WIRING DIAGRAM ON REAR OF TIMER CASE



MOUNTING



ENCLOSURES

Model No.	NEMA Class	Description
HN308	1	Surface Mtg. with terminal block
HN364	1	Surface Mtg. without terminal block
HN370	1A	Dual unit cabinet less unit cases and toggle switch, with 9 terminal block

ACCESSORIES

Model No.	Description
H-5331	Mounting Brackets 2 req'd per timer
HP50-31	One Hole Mounting Ring
HP50-131	CYCL-FLEX Water-Sealed Housing provides NEMA 4 Hosedown rating for CX series timers/counters
HP50-133	Surface Mounting Adapter to use in place of brackets
PDM-534	1/4 DIN Adapter Plate

ORDERING INFORMATION

OUTPUT TYPE		CX2	02	A6	VOLTAGE & FREQUENCY	
Sym.	Description				Sym.	Description
02	10 amp Relay Output				A6	120 VAC, 50/60 Hz
42	1 amp Solid State MOSFET				B6	240 VAC, 50/60 Hz
					K6	208 VAC, 50/60 HZ